



FEATURES

- FADER+DIMMER+DRIVER
- DC Input: 12-24-48 Vdc or 12-24Vdc
- MULTI INPUT – Analogic Automatic Detection of the Local command:
 - Normally Open push-button
 - 0-10V
 - 1-10V
 - Potentiometer 10KOhm
- PUSH MENU' – Possibility to set:
 - Minimum value of dimming
 - Fade In
 - Fade Out
- Constant Voltage variant for Common Anode applications
- Voltage outputs for R-L-C loads, DLM1248-1CV variant
- Voltage outputs for R loads, DLM1224-1CV variant
- Memory function
- Adjusting the brightness of white light or monochromatic color
- Adjusting the brightness up to completed off
- Soft start and soft stop
- Sync function - Master/Slave
- Optimized output curve
- Typical efficiency > 95%
- 100% Functional test - 5 Years warranty

➤ **CONSTANT VOLTAGE VARIANTS**

Application: Dimmer



CODE	Input voltage	Output	Channels	Analogic Auto Detection
DLM1248-1CV	12-48V DC	1 x 6,5A	1	N° 1 N.O. push button N° 1 analog signal 0-10V N° 1 analog signal 1-10V N° 1 Potentiometer 10kOhm
DLM1224-1CV	12-24V DC	1 x 10A	1	N° 1 N.O. push button N° 1 analog signal 0-10V N° 1 analog signal 1-10V N° 1 Potentiometer 10kOhm

The LED dimmer is produced by default with:

- Analogic Automatic Detection of local command set as N.O. Push Button
- Dimming minimum level 1%

➤ **PROTECTIONS**

		DLM1248-1CV	DLM1224-1CV
OTP	Over temperature protection (*)	✓	
OVP	Over voltage protection (**)	✓	✓
UVP	Under voltage protection (**)	✓	✓
RVP	Reverse polarity protection (**)	✓	✓
IFP	Input fuse protection (**)	✓	✓
SCP	Short circuit protection	✓	
OCP	Open circuit protection	✓	✓
CLP	Current limit protection	✓	

(*) Thermal Protection on the output channel in case of high temperature. The thermal intervention is detected by transistor (> 150°C).

(**) Only control Logic protection

➤ **REFERENCE STANDARDS**

EN 61347-1	Lamp controlgear - Part 1: General and safety requirements
EN 55015	Limits and methods of measurement of radio disturbance characteristics of electrical lighting and similar equipment
EN 61547	Equipment for general lighting purposes - EMC immunity requirements
IEC 60929-E.2.1	Control interface for controllable ballasts - control by d.c. voltage - functional specification
ANSI E 1.3	Entertainment Technology - Lighting Control Systems - 0 to 10V Analog Control Specification

 ➤ **TECHNICAL SPECIFICATIONS**

	DLM1248-1CV Variant	DLM1224-1CV Variant
	Constant voltage	Constant voltage
Supply voltage	min: 10,8 Vdc .. max: 52,8 Vdc	min: 10,8 Vdc .. max: 26,4 Vdc
Output voltage	= Vin	= Vin
Output current	6,5A @40°C ¹⁾	10A @40°C ¹⁾
Absorbed nominal power ¹⁾	@12V	78 W
	@24V	156 W
	@48V	312 W
Power loss in stand by mode	<500mW	<500mW
Type of Load	R – L – C	R
Thermal shutdown ²⁾	150°C	-
D-PWM dimming frequency	300Hz	300HZ
D-PWM resolution	16 bit	16bit
D-PWM range	0,1 – 100%	0,1 – 100%
Storage Temperature	min: -40 max: +60 °C	min: -40 max: +60 °C
Ambient Temperature ¹⁾	min: -10 max: +40 °C	min: -10 max: +40 °C
Protection grade	IP20	IP20
Wiring	2.5mm ² solid – 2.5mm ² stranded - 30/12 AWG	1.5mm ² solid - 1mm ² stranded - 30/16 AWG
Wire preparation length	5.5 ÷ 6.5 mm	5 ÷ 6mm
Mechanical dimensions	44 x 57 x 25 mm	44 x 57 x 19 mm
Package dimensions	56 x 68 x 35 mm	56 x 68 x 35 mm
Casing material	Plastic	Plastic
Weight	40g	38g

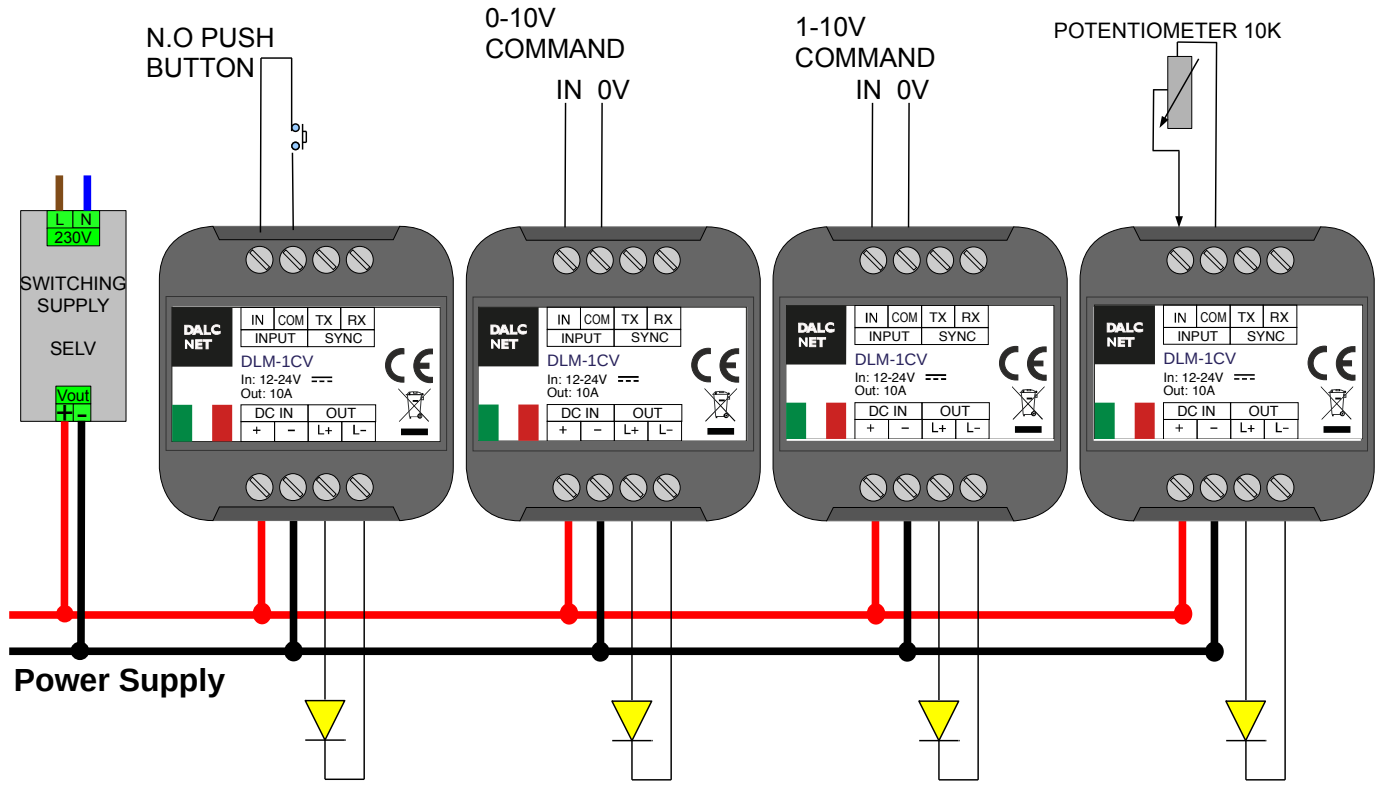
¹⁾ maximum value, dependent on the ventilation conditions. This value is measured at 40°C, it is maximum ambient temperature.

²⁾The Temperature Protection, in case of high temperature, is detected by transistor (> 150°C) and is only on the output channel.

➤ **INSTALLATION**

To set the product, follow the instruction on the picture below:

- 1) connect the power supply (12-24 Vdc or 12-48Vdc depending on the dimmer model) to terminal blocks "DC IN" of the device.
- 2) connect the LOCAL COMMAND to the terminal blocks "INPUT" of the device.
- 3) connect the LED in the output terminal blocks "OUT" of the device.



DLM1248-1CV / DLM1224-1CV

➤ PUSH DIMMER FEATURE

The intensity and the status change (ON/OFF) are controlled by the N.O. push button.

Button	Intensity
Click	On/Off
Double Click	Maximum intensity
Long pressure (>1s) from OFF	Turn ON at 1% (Nightly Time), then dimmer up/down
Long pressure (>1s) from ON	Dimmer up/down
15 Click in 5 second-time	Enter in to PUSH MENU'

➤ 0-10V & 1-10V & POTENTIOMETER FEATURE

The intensity is controlled by input voltage variation.

Input	Function	Intensity
0÷10V 1÷10V Potentiometer		Dimmer: 0-1V = 0% 10V=100%

➤ PUSH MENU'• FUNCTIONS AVAILABLE

- MINIMUM VALUE OF DIMMING
- POWER-ON RAMP (FADE IN)
- POWER-OFF RAMP (FADE OUT)

• ACCESS TO MENU'

When you turn-on the LED dimmer, the output is set at 100% and the minimum of dimming is at 1%.
To access the device menu, click the push button 15 times in 5 seconds-time.
When the Load flashes, you are in "MENU 1".

• **MENU' 1 – MINIMUM VALUE OF DIMMING**

Every single click make it changing the minimum value of dimming
There are six levels of minimum: 0,1%, 1%, 5%, 10%, 20%, 30% and 100%

After setting the minimum value of dimming press long to confirm.
A double flashing confirms the storage and you can go to "MENU'2"

Note: if you set the minimum level to 100%, once the setting is confirmed, the device automatically exits the MENU.

• **MENU' 2 – POWER-ON RAMP (FADE IN)**

Every single click make it changing the power-on ramp
There are five levels of power-on ramp (FADE IN): instantaneous, 1 second, 2 seconds, 3 seconds, 6 seconds.

After setting the FADE IN press a long to confirm.
Three flashes confirm the storage and you can go to "MENU'3"

• **MENU' 3 – POWER-OFF RAMP (FADE OUT)**

Every single click make it changing the power-off ramp
There are five levels of power-off ramp (FADE OUT): instantaneous, 1 second, 2 seconds, 3 seconds, 6 seconds.

After setting the FADE OUT press long to confirm.
Three quick flashes confirm the storage and you go out from the "DEVICE MENU"

When you are out of the Menu', the Lamp which is connected to the LED Dimmer turns on at the minimum level of dimming previously set.





DALCNET S.r.l.
 Registered office: via Meucci, 35 - 36040 Brendola (VI) - Italy
 Headquarters: via Meucci, 35 - 36040 Brendola (VI) - Italy
 Tel. + 39 0444 1836680/1867452 Fax. + 39 0444 1867453
 VAT: IT-04023100235
 info@dalcnet.com www.dalcnet.com

**DLM Single Channel
Multi INPUT**

*EASY LINE
Device Manual*

FW 1.0



Rev. 2018-07-30
pag. 5/7



➤ **LOCAL COMMAND**

AUTOMATIC DETECTION OF THE TYPE OF LOCAL COMMAND

At the first switch the device is set by default to automatic recognition of push button N.O. command.

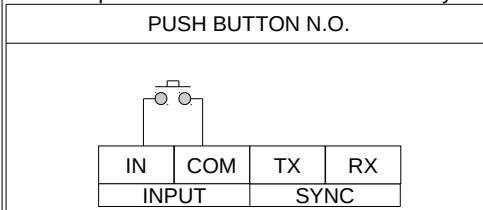
- ✓ AUTOMATIC DETECTION OF THE 0/1-10V & POTENTIOMETER COMMAND

The automatic recognition of analog signal 0/1-10V or potentiometer starts as soon as a 0/1-10V value between 3V and 7V is sent out or setting the potentiometer with a value included from 30% and 70%.

COMMAND 0-10V	COMMAND 1-10V	POTENTIOMETER																								
<p>0-10V</p>	<p>1-10V</p>	<p>POTENTIOMETER</p>																								
<table border="1"> <tr><td>IN</td><td>COM</td><td>TX</td><td>RX</td></tr> <tr><td>INPUT</td><td></td><td>SYNC</td><td></td></tr> </table>	IN	COM	TX	RX	INPUT		SYNC		<table border="1"> <tr><td>IN</td><td>COM</td><td>TX</td><td>RX</td></tr> <tr><td>INPUT</td><td></td><td>SYNC</td><td></td></tr> </table>	IN	COM	TX	RX	INPUT		SYNC		<table border="1"> <tr><td>IN</td><td>COM</td><td>TX</td><td>RX</td></tr> <tr><td>INPUT</td><td></td><td>SYNC</td><td></td></tr> </table>	IN	COM	TX	RX	INPUT		SYNC	
IN	COM	TX	RX																							
INPUT		SYNC																								
IN	COM	TX	RX																							
INPUT		SYNC																								
IN	COM	TX	RX																							
INPUT		SYNC																								

- ✓ AUTOMATIC DETECTION OF THE N. O. PUSH BUTTON COMMAND

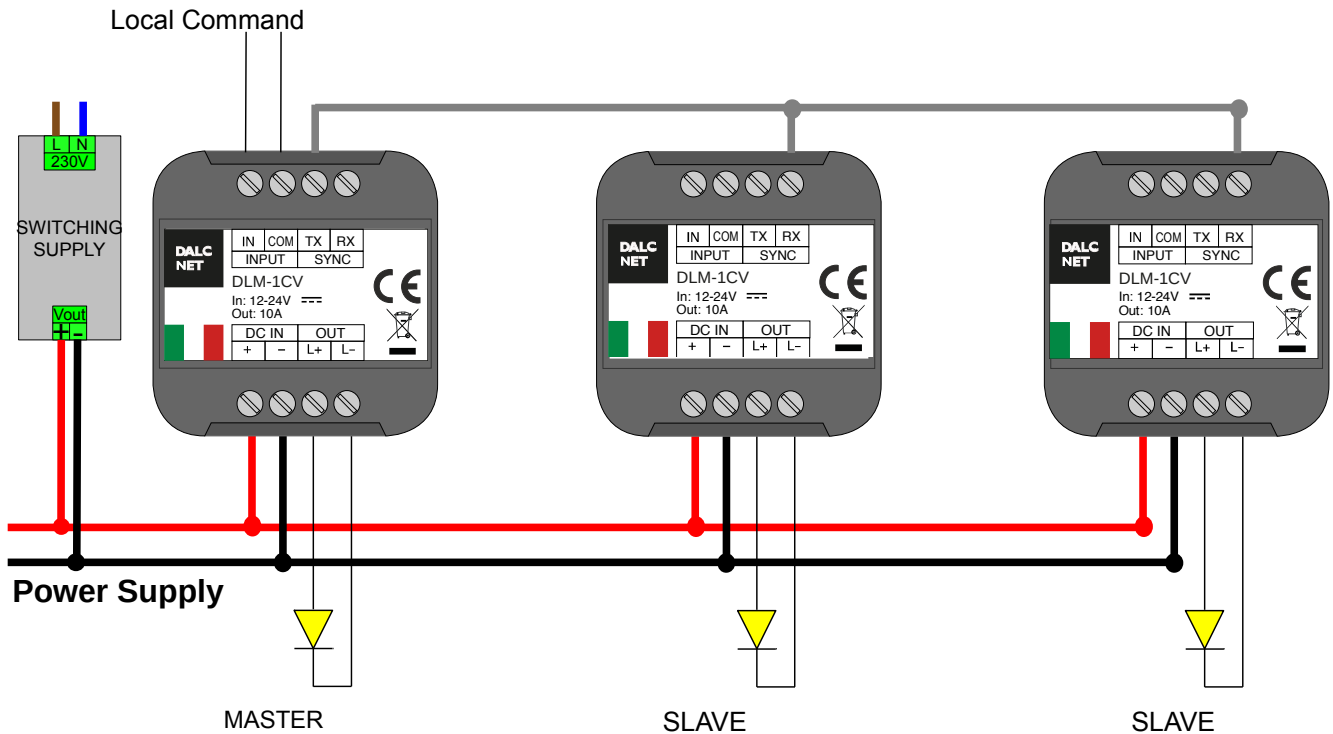
The N.O. push button is identified automatically after 5 clicks in rapid sequence. In mode N.O. push button, function memory is always active.



➤ **SYNC INSTALLATION**

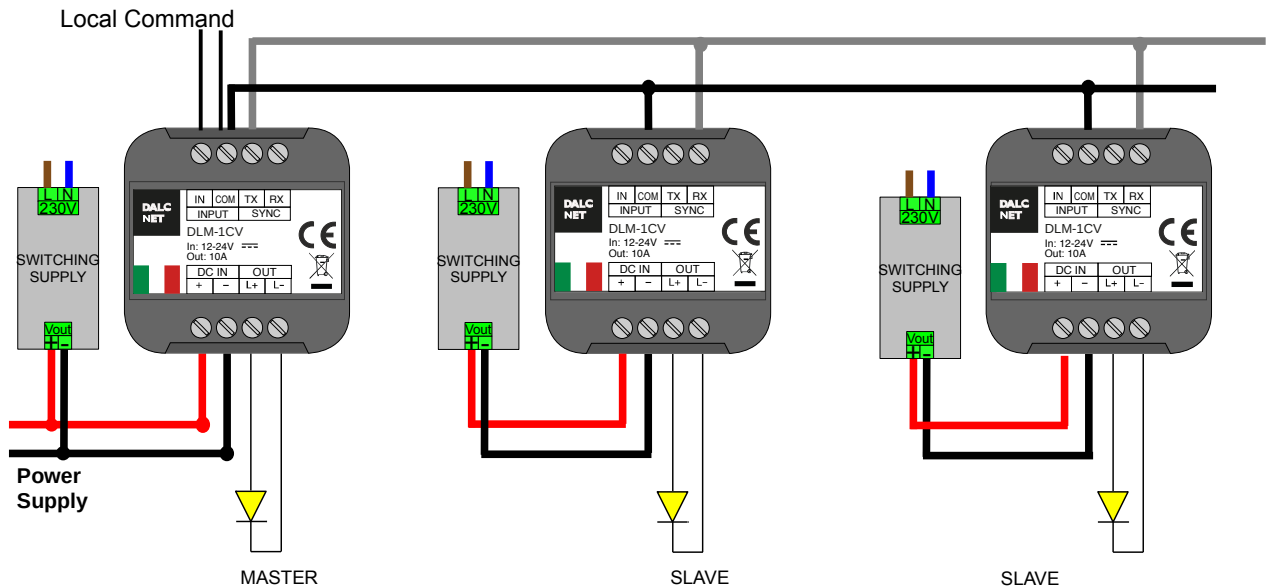
SYNC FUNCTION WITH SINGLE POWER SUPPLY

It is possible to connect multiple device of the family DLM-1CV among them in mode Master/Slave.
 Connect the local command desired to the device used as Master. Connect master "TX" signal to the "RX" entrances of slave.
 Example of Master/Slave.



SYNC FUNCTION WITH ONE POWER SUPPLY FOR DIMMER

In the case multiple power supplies are used to power "master" dimmer and "slave" dimmers, connect all the "COM" inputs of the LedDimmer to each other.



NOTE FOR MASTER / SLAVE INSTALLATION

- 1) Using one power supply every single dimmer, first power on the Master unit and after that give power to the Slave.
- 2) When doing maintenance on the installation take care of shutting down power to the Slave units first and than to the Master.
- 3) When power to the Master unit is missing, the Slave set up automatically to the default ex-factory settings (power on 100%) or to the settings previously saved.

TECHNICAL NOTE

Installation:

- Installation and maintenance must be performed only by qualified personnel in compliance with current regulations.
- The product must be installed inside an electrical panel protected against overvoltages.
- The product must be installed in a vertical or horizontal position with the cover / label upwards or vertically; Other positions are not permitted. It is not permitted to bottom-up position (with the cover / label down).
- Keep separated the circuits at 230V (LV) and the circuits not SELV from circuits to low voltage (SELV) and from any connection with this product. It is absolutely forbidden to connect, for any reason whatsoever, directly or indirectly, the 230V mains voltage to the bus or to other parts of the circuit.

Power Supply:

- For the power supply use only a SELV power supplies with limited current, short circuit protection and the power must be dimensioned correctly. In case of using power supply with ground terminals, all points of the protective earth (PE = Protection Earth) must be connected to a valid and certified protection earth.
- The connection cables between the power source "low voltage" and the product must be dimensioned correctly and they should be isolated from every wiring or parts at voltage not SELV. Use double insulated cables.
- Dimension the power supply for the load connected to the device. If the power supply is oversized compared with the maximum absorbed current, insert a protection against over-current between the power supply and the device.

Command:

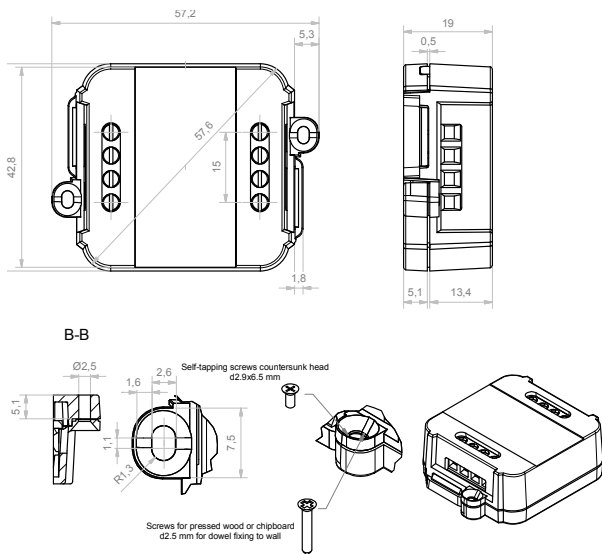
- The length of the connection cables between the local commands (N.O. Push button, 0-10 V, 1-10 V, Potentiometer or other) and the product must be less than 10m; the cables must be dimensioned correctly and they should be isolated from every wiring or parts at voltage not SELV. Use double insulated shielded and twisted cables.
- The length and type of the connection cables at the BUS SYNC must be less than 3m and they should be isolated from every wiring or parts at voltage not SELV. It is suggested to use double insulated shielded and twisted cables.
- All the product and the control signal connect at the bus and at the local command (N.O. Push Button, 0-10V, 1-10V, Potentiometer or other) must be SELV (the devices connected must be SELV or supply a SELV signal)

Outputs:

- The length of the connection cables between the product and the LED module must be less than 10m; the cables must be dimensioned correctly and they should be isolated from every wiring or parts at voltage not SELV. It is suggested to use double insulated shielded and twisted cables.

➤ **MECHANICAL DIMENSION**

DLM1224-1CV



DLM1248-1CV

